

Heat Shrinkable Cable Accessories

$U_0/U (U_m)$ 0.6/1.0 (1.2)kV



Heat Shrinkable LV Accessories

Low Voltage Heat Shrinkable Joints & Terminations

Heat Shrink Technology



Heat shrinkable joints and terminations for cables with XLPE, PVC, EPR, and MI/MIND Paper insulation; NYY, NAYY, CYKY, NYCY, NAYCWY, NYCWY, SZAMtKaM, SZRMtKVM-J $U_0/U (U_m)$ (kV) 0.6/1 (1.2kV)

Heat shrinkable technology is one of the world's most simple and cost effective jointing system. When connecting 1kV power cables, Hongshang heat shrink tubing will insulate a variety of cables with XLPE, PVC, and MI/MIND paper insulation. All Hongshang kits are designed to be compact and range taking resulting in lower cost and reduced stock quantities. Hongshang's advanced polymer technology ensures high performing standards of both tubing and the adhesive. Performance and long term reliability are guaranteed, with excellent weathering resistance.



Hongshang kits have passed all tests according to EN50393 (CENELEC 623 - S1:1996). Additional impulse voltage test were performed further to regular testing. All samples passed additional testing as well.

Heat Shrinkable LV Accessories

Low Voltage Heat Shrinkable Joints & Terminations

Technical performance



The outer protective tubing covering the whole joint, is a heavy walled and adhesive lined tube which provides sufficient mechanical protection and a water and environmental seal on the cable oversheath. Cables with concentric neutral or SWA/AWA armor are sealed with heavy wall outer protective tubing to provide an even tougher mechanical protection.

Various kit designs can accommodate several commonly used cable types with different connectors, crimp or mechanical. Heavy wall adhesive lined tubing protect connectors. Perfect environmental and electrical insulation.



Installation of HLVJ-4-A-M-D

Kits come complete with metal components. Upon request connectors and lugs are also provided in the kit content.

Heat Shrinkable LV Accessories

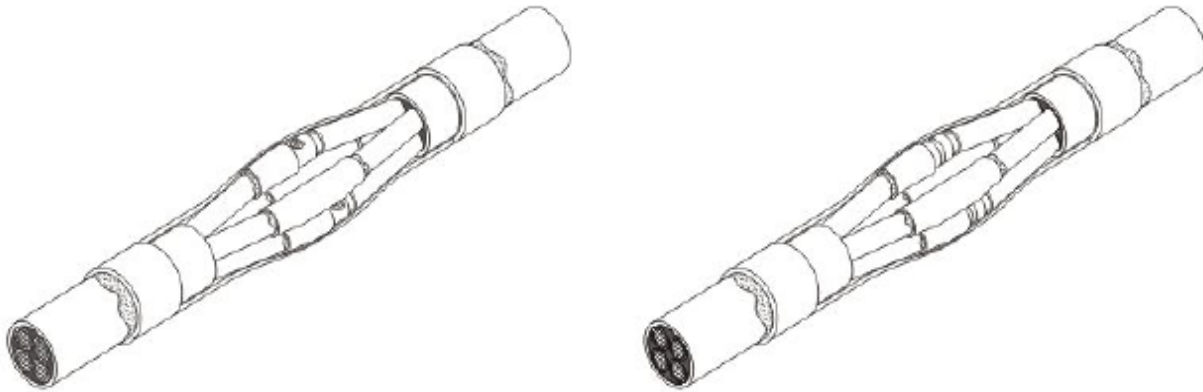
Low Voltage Heat Shrinkable Joints & Terminations

Performance of Hongshang heat shrinkable cable accessories when tested according to EN 50393 (VDE 0278)

Test sequence	Item	Requirements acc to EN50393	Results	Remarks EN50393
1	Impulse withstand voltage test	No breakdown shall occur at 10 positive and 10 negative impulses of 20kV	No breakdown occur at 10 positive and 10 negative impulses of 20kV	PASS
2	AC withstand voltage test (in air and ambient temperature)	4kV, 1min No breakdown	4kV, 1min No breakdown	PASS
3	Insulation resistance (in air and ambient temperature)	$\geq 50M\Omega$	$\geq 50M\Omega$	PASS
4	Impact test (in air and ambient temperature)	4kg wedge dropped from a height of 1000mm	No functional Damage	PASS
5	AC withstand voltage test immersed in the water of with a height of 1000mm	4kV, 1min No breakdown	4kV, 1min No breakdown	PASS
6	Heating cycle test (immersed in the water of with a height of 1000mm)	Heat the conductor to 95°C-100°C, 60times in the water, No breakdown	Heat the conductor to 95°C-100°C, 60times in the water, No breakdown	PASS
7	AC withstand voltage test (immersed in the water of with a height of 1000mm)	4kV, 1min No breakdown	4kV, 1min No breakdown	PASS
8	Insulation resistance (in air and ambient temperature)	$\geq 50M\Omega$	$\geq 50M\Omega$	PASS

Heat Shrinkable LV Accessories

Low Voltage Heat Shrinkable Joints



Application range:

Straight joints for unarmored plastic insulated cables, with mechanical connectors.

Voltage	Type	Cable cross section mm ²	Size Ref.	Cable type	Connector type
U _n /U(U _n) 0.6/1.0 (1.2) kV	HLVJ-4-	1.5-10	A	UA	M
	HLVJ-4-	6-25	B	UA	M
	HLVJ-4-	35-70	C	UA	M
	HLVJ-4-	50-120	D	UA	M
	HLVJ-4-	120-300	E	UA	M

Straight joints for unarmored plastic insulated cables, with crimp connectors.

Voltage	Type	Cable cross section mm ²	Size Ref.	Cable type	Connector type
U _n /U(U _n) 0.6/1.0 (1.2) kV	HLVJ-4-	1.5-10	A	UA	C
	HLVJ-4-	6-25	B	UA	C
	HLVJ-4-	16-50	C	UA	C
	HLVJ-4-	70-120	D	UA	C
	HLVJ-4-	150-300	E	UA	C

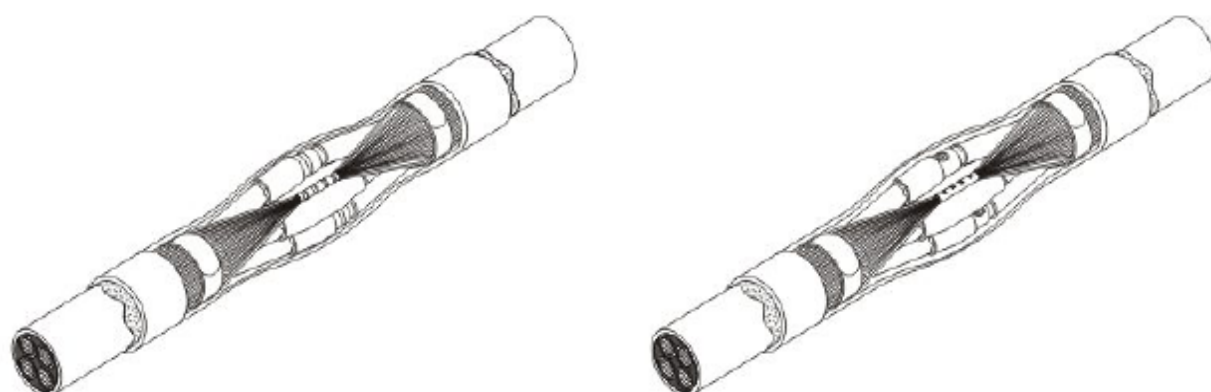
Example: Kit part number: HLVJ 4A-UA-M

Where: 4-number of cable cores; A-size ref.; UA-unarmoured cable; M-mechanical connectors.

No connectors supplied unless specified.

Heat Shrinkable LV Accessories

Low Voltage Heat Shrinkable Joints



Application range:

Straight joints for plastic insulated cables with concentric neutral, with mechanical connectors.

Voltage	Type	Cable cross section mm ²	Size Ref.	Cable type	Connector type
U ₀ /U(U _n) 0.6/1.0 (1.2) kV	HLVJ-4-	10-35	A	CN	M
	HLVJ-4-	25-70	B	CN	M
	HLVJ-4-	70-120	C	CN	M
	HLVJ-4-	150-240	D	CN	M

Straight joints for plastic insulated cables with concentric neutral, with crimp connectors.

Voltage	Type	Cable cross section mm ²	Size Ref.	Cable type	Connector type
U ₀ /U(U _n) 0.6/1.0 (1.2) kV	HLVJ-4-	10-16	A	CN	C
	HLVJ-4-	25-50	B	CN	C
	HLVJ-4-	70-150	C	CN	C
	HLVJ-4-	185-300	D	CN	C

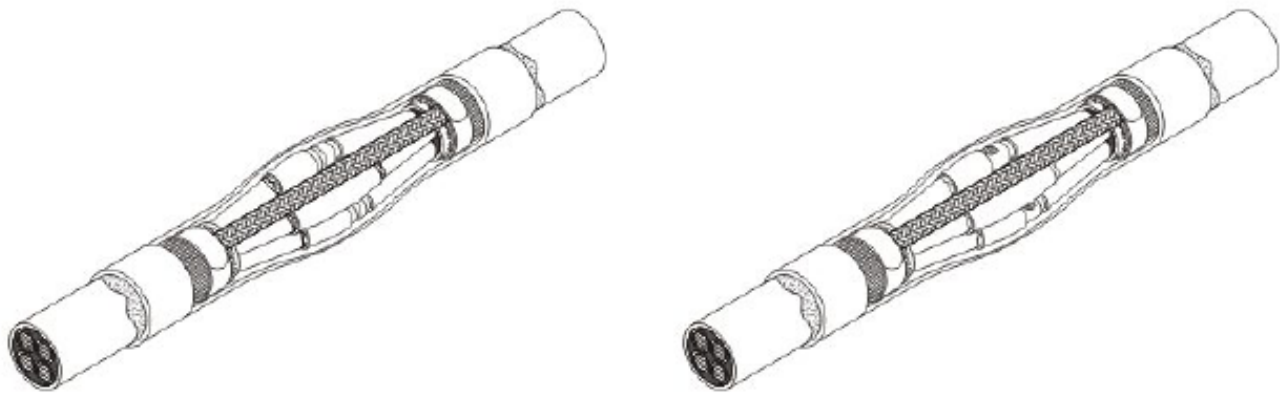
Example: Kit part number: HLVJ 4A-CN-M

Where: 4-number of cable cores; A-size ref.; CN-concentric neutral cable; M-mechanical connectors.

No connectors supplied unless specified.

Heat Shrinkable LV Accessories

Low Voltage Heat Shrinkable Joints



Application range:

Straight joints for plastic insulated cables with SWA/AWA, with mechanical connectors.

Voltage	Type	Cable cross section mm ²	Size Ref.	Cable type	Connector type
U ₀ /U _n 0.6/1.0 (1.2) kV	HLVJ-4-	10-35	A	A	M
	HLVJ-4-	25-70	B	A	M
	HLVJ-4-	50-150	C	A	M
	HLVJ-4-	120-300	D	A	M

Straight joints for plastic insulated cables with SWA/AWA, with crimp connectors.

Voltage	Type	Cable cross section mm ²	Size Ref.	Cable type	Connector type
U ₀ /U _n 0.6/1.0 (1.2) kV	HLVJ-4-	1.5-4	A	A	C
	HLVJ-4-	6-16	B	A	C
	HLVJ-4-	25-50	C	A	C
	HLVJ-4-	70-150	D	A	C
	HLVJ-4-	185-300	E	A	C

Example: Kit part number: HLVJ 4A-A-M

Where: 4-number of cable cores; A-size ref.; A-armoured cable; M-mechanical connectors.

No connectors supplied unless specified.